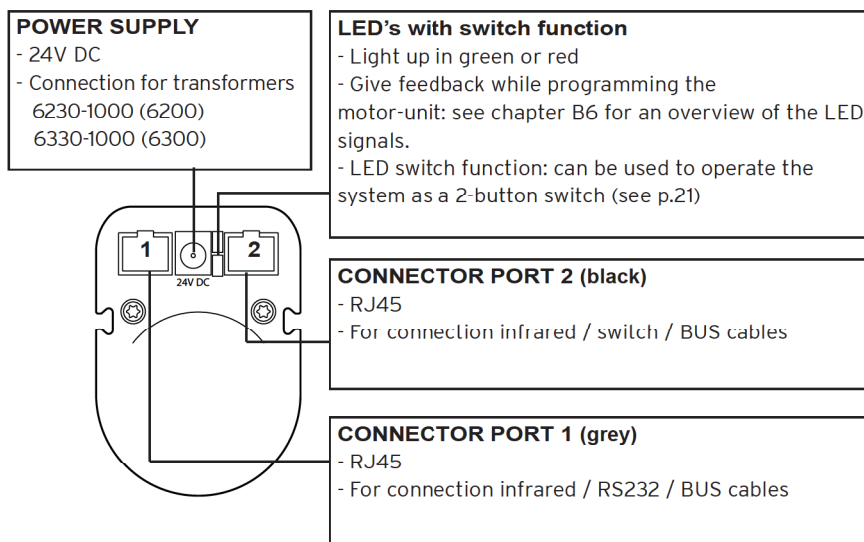


Changed connections

See page 7 & 36 of the manual

page 7



page 36

Pin definition

Overview of all functions of the two 8-Pin RJ45 connectors in the motor unit.
Connector and pin numbering as illustrated below:

