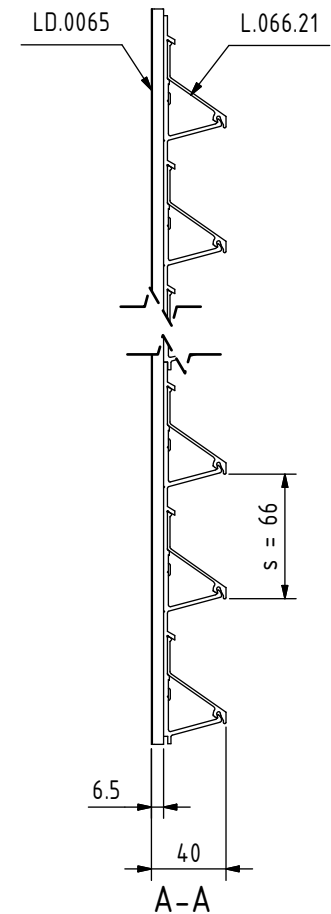
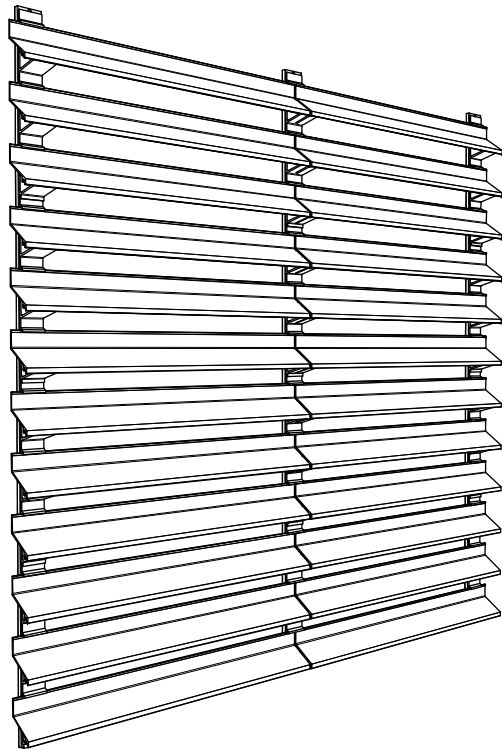


TOP VIEW



KEY REFERENCE	
L:	Length of blade [mm]
d:	Expansion joint [mm] = 0,001 x L
s:	Step of blade [mm]

Maximal dimensions to be discussed with R&D Dept. of NV Renson Projects.



NV RENSON Projects
Maalbeekstraat 6
8790 Waregem
Belgium

Tel.: +32 (0)56 62 71 07
Fax: +32 (0)56 62 71 47
www.renson.eu

VERTICAL FIXED

TYPE: LINIUS

SUBTYPE: C.L.S.

DESCRIPTION: L.066.21 + LD.0065

PRODUCT SHEET	SHEET N°	ISSUE	Scale: 1/4
	VV-L-1.2401	V.01	Orig. format: A4

All rights reserved to NV RENSON PROJECTS. This drawing shall not be copied nor showed to third parties without written permission of NV RENSON PROJECTS.

R:\CAD\91_ProductFiches\VV\VV-L-1.2401-EN\dw