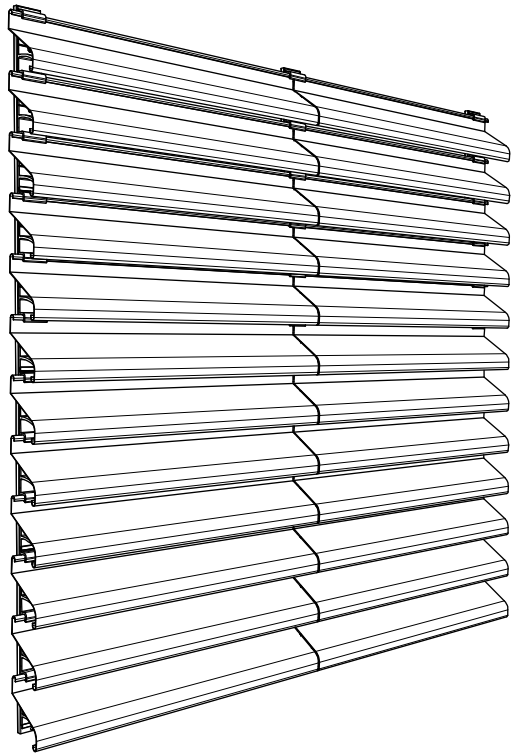
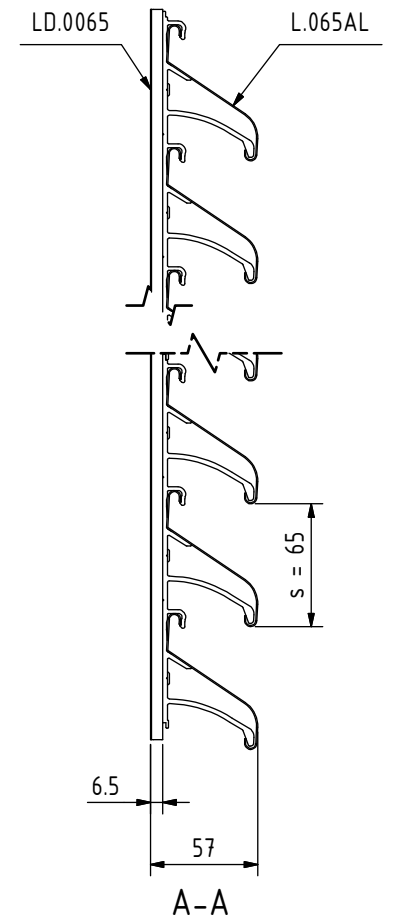



TOP VIEW



KEY REFERENCE	
L:	Length of blade [mm]
d:	Expansion joint [mm] = 0,001 x L
s:	Step of blade [mm]

Maximal dimensions to be discussed with R&D Dept. of NV Renson Projects.

	NV RENSON Projects Maalbeekstraat 6 8790 Waregem Belgium	Tel.: +32 (0)56 62 71 07 Fax: +32 (0)56 62 71 47 www.renson.eu	
	VERTICAL FIXED TYPE: LINIUS SUBTYPE: C.L.S. DESCRIPTION: L.065AL + LD.0065		
PRODUCT SHEET	SHEET N°	ISSUE	Scale: 1/4
	VV-L-1.0701	V.01	Orig. format: A4

All rights reserved to NV RENSON PROJECTS. This drawing shall not be copied nor showed to third parties without written permission of NV RENSON PROJECTS.

R:\CAD\91_ProductFiches\VV\VV-L-10701_VV-L-1.0701-EN.dwg