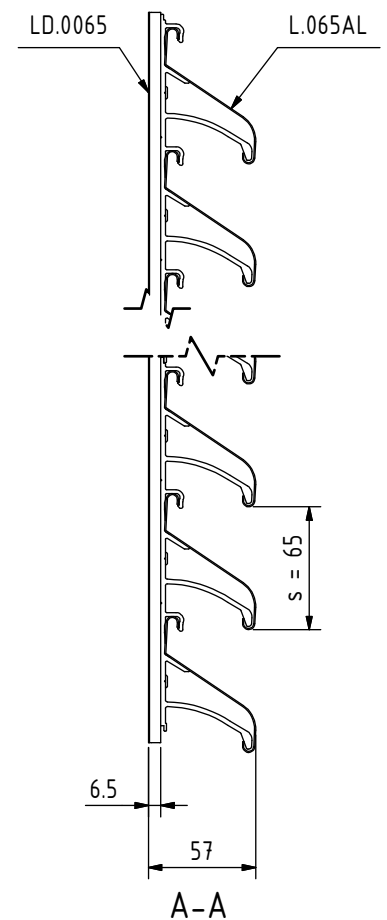
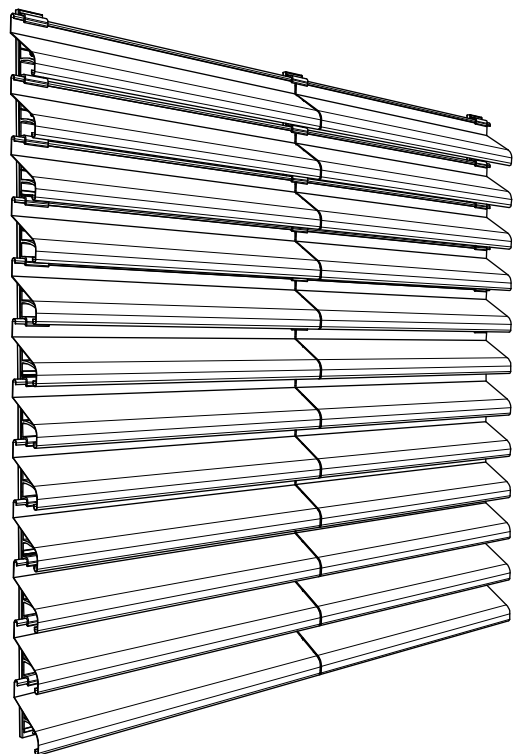


TOP VIEW



A-A



KEY REFERENCE
L: Length of blade [mm]
d: Expansion joint [mm] = 0,001 x L
s: Step of blade [mm]

Maximal dimensions to be discussed with R&D Dept. of NV Renson Projects.



NV RENSON Projects  
Maalbeekstraat 6  
8790 Waregem  
Belgium  
Tel.: +32 (0)56 62 71 07  
Fax: +32 (0)56 62 71 47  
www.renson.eu

<u>VERTICAL FIXED</u>	
TYPE: LINIUS	SUBTYPE: C.L.S.
DESCRIPTION: L.065AL + LD.0065	
PRODUCT SHEET	SHEET N° VV-L-1.0701
	ISSUE V.01
Scale: 1/4	
Orig. format: A4	